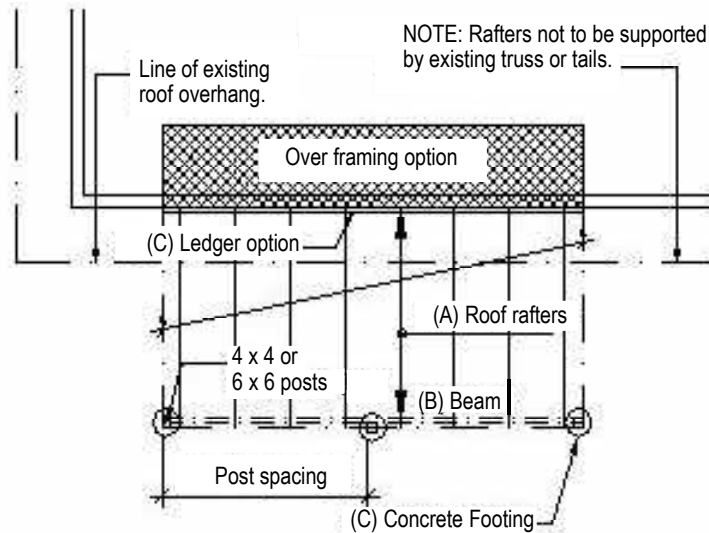


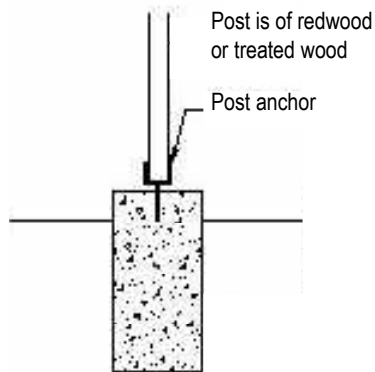
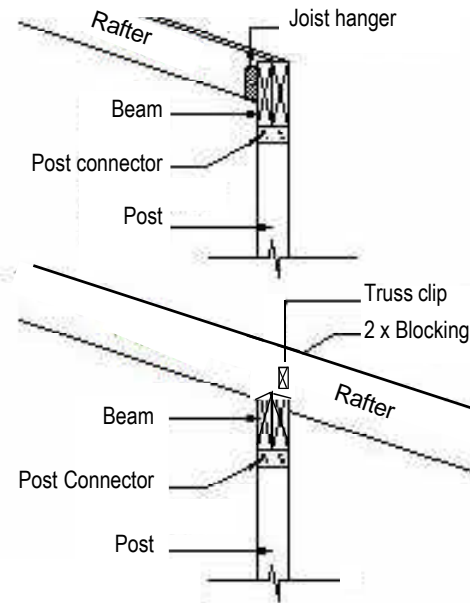
# DECK & PATIO COVERS



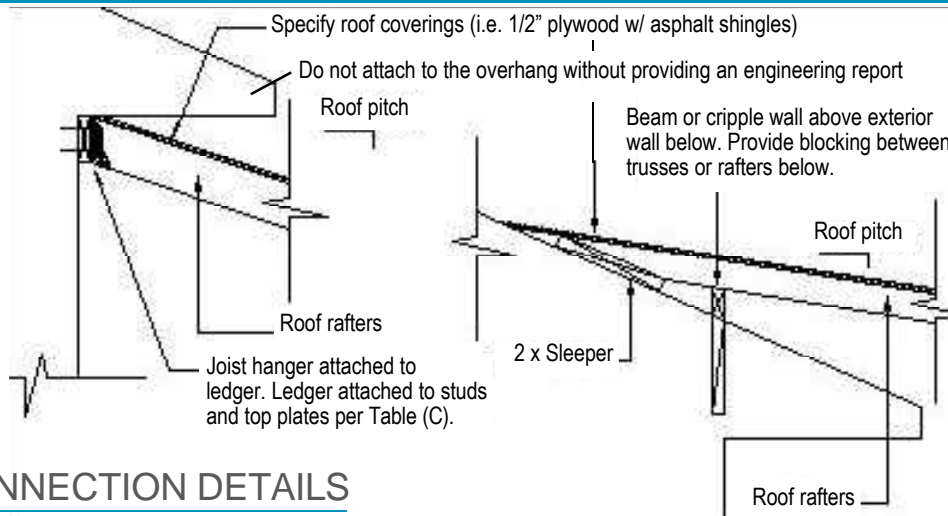
FRAMING PLANS

## BEAM DETAILS

(2 options illustrated)



FOOTING DETAILS



CONNECTION DETAILS

(2 options illustrated)