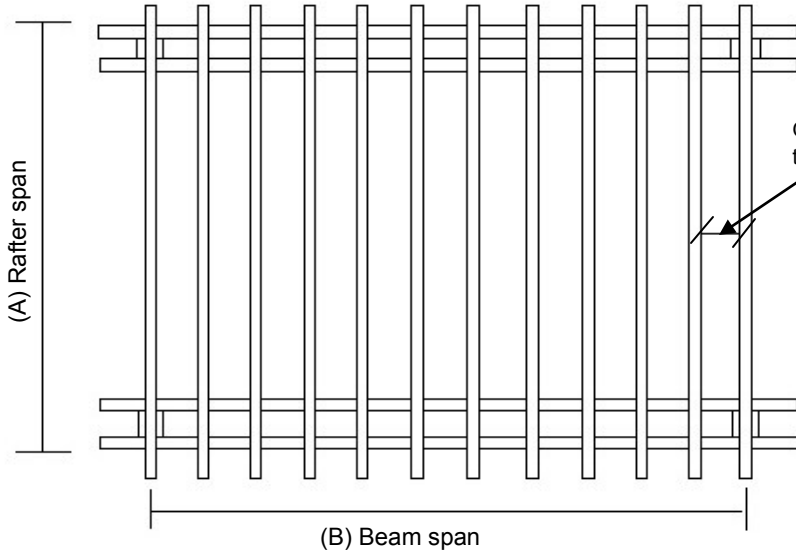


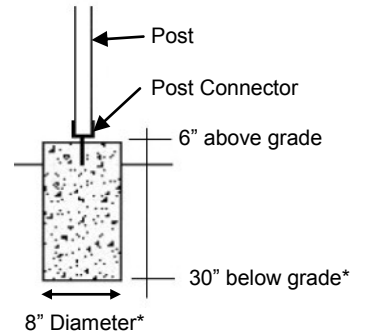
PIKES PEAK REGIONAL BUILDING DEPARTMENT

Pergola (shade structure)

Pergolas must remain 50% open at the roof and cannot have any openings less than 4" on the roof surface.

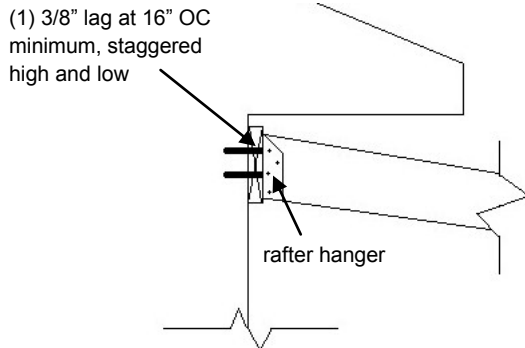


EXAMPLE FRAMING PLAN

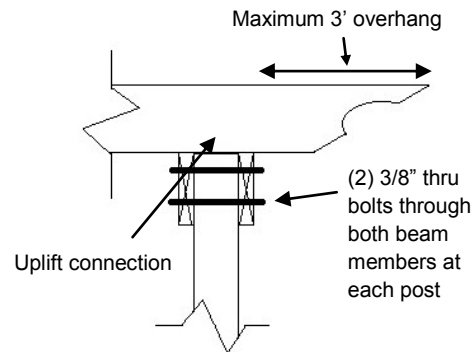


*If all piers loads are <750 pounds, 10" diameter by 12" deep piers are allowed.

PIER DETAIL



LEDGER CONNECTION



BEAM / RAFTER CONNECTION

Tables are based on REDWOOD #2 or better lumber

RAFTER SPAN (feet)	(A) MINIMUM JOIST SIZE			(B) MINIMUM BEAM SIZE with post spacing at:					
	12" OC	16" OC	24" OC	5 feet	6 feet	7 feet	8 feet	9 feet	10 feet
6	2 x 4	2 x 4	2 x 4	2 - 2 x 4	2 - 2 x 4	2 - 2 x 4	2 - 2 x 4	2 - 2 x 4	2 - 2 x 6
7	2 x 4	2 x 4	2 x 4	2 - 2 x 4	2 - 2 x 4	2 - 2 x 4	2 - 2 x 4	2 - 2 x 6	2 - 2 x 6
8	2 x 4	2 x 4	2 x 4	2 - 2 x 4	2 - 2 x 4	2 - 2 x 4	2 - 2 x 4	2 - 2 x 6	2 - 2 x 6
9	2 x 4	2 x 4	2 x 4	2 - 2 x 4	2 - 2 x 4	2 - 2 x 4	2 - 2 x 4	2 - 2 x 6	2 - 2 x 6
10	2 x 4	2 x 4	2 x 4	2 - 2 x 4	2 - 2 x 4	2 - 2 x 4	2 - 2 x 6	2 - 2 x 6	2 - 2 x 6
11	2 x 4	2 x 4	2 x 6	2 - 2 x 4	2 - 2 x 4	2 - 2 x 4	2 - 2 x 6	2 - 2 x 6	2 - 2 x 6
12	2 x 4	2 x 6	2 x 6	2 - 2 x 4	2 - 2 x 4	2 - 2 x 4	2 - 2 x 6	2 - 2 x 6	2 - 2 x 6
13	2 x 6	2 x 6	2 x 6	2 - 2 x 4	2 - 2 x 4	2 - 2 x 4	2 - 2 x 6	2 - 2 x 6	2 - 2 x 6
14	2 x 6	2 x 6	2 x 6	2 - 2 x 4	2 - 2 x 4	2 - 2 x 4	2 - 2 x 6	2 - 2 x 6	2 - 2 x 6
15	2 x 6	2 x 6	2 x 6	2 - 2 x 4	2 - 2 x 4	2 - 2 x 6	2 - 2 x 6	2 - 2 x 6	2 - 2 x 8
16	2 x 6	2 x 6	2 x 8	2 - 2 x 4	2 - 2 x 4	2 - 2 x 6	2 - 2 x 6	2 - 2 x 6	2 - 2 x 8