

DECK ATTACHMENT SHEET

This document is to remain with your plans at all times

PROJECT ADDRESS:

YES NO

DECK DESIGN INCLUDES A SOLID COVER OR PERGOLA STYLE COVER

ELECTRICAL SERVICE AND METER LOCATION MAY BE AFFECTED BY DECK, RECOMMEND DISCUSSION WITH ELECTRICAL DEPARTMENT IF YES.

DECK SUPPORTS HOT TUB OR SPA LOADING

DECK IS SUPPORTED BY CANTILEVER AT HOUSE EXISTING INVERTED HANGER INSTALLATION WAS VERIFIED OR ENGINEERING WAS PROVIDED

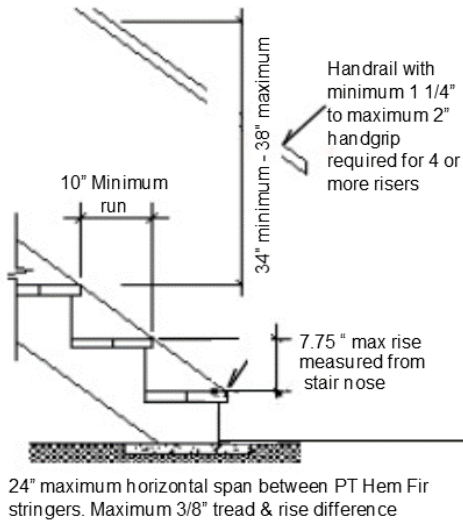
WALKING SURFACE LESS THAN 18" ABOVE GRADE

WALKING SURFACE 8'0" OR MORE ABOVE GRADE

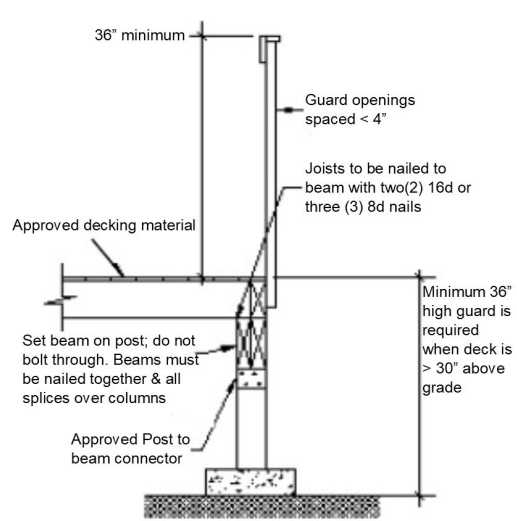
DECK IS FREESTANDING AND NOT ATTACHED TO A STRUCTURE (DETACHED)

PROPOSED EXCAVATION OR VERTICAL PENETRATION GREATER THAN 3'-0" IN DEPTH

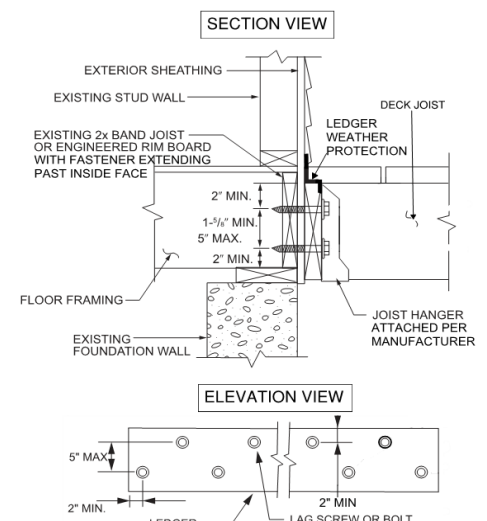
USE LISTED JOIST HANGERS TO MATCH JOIST SIZE AND PROVIDE LISTED HARDWARE AT POST CAP AND BASE. INSTALL ALL LISTED PRODUCTS PER THE MANUFACTURER'S RECOMMENDATIONS (USP/SIMPSON/ETC..)



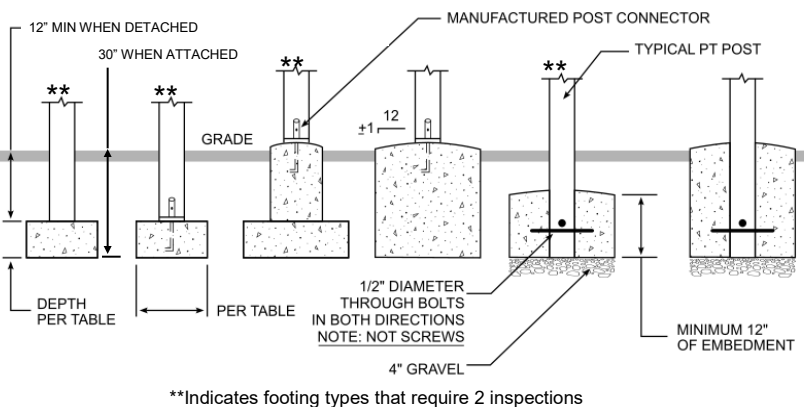
STAIR DETAILS



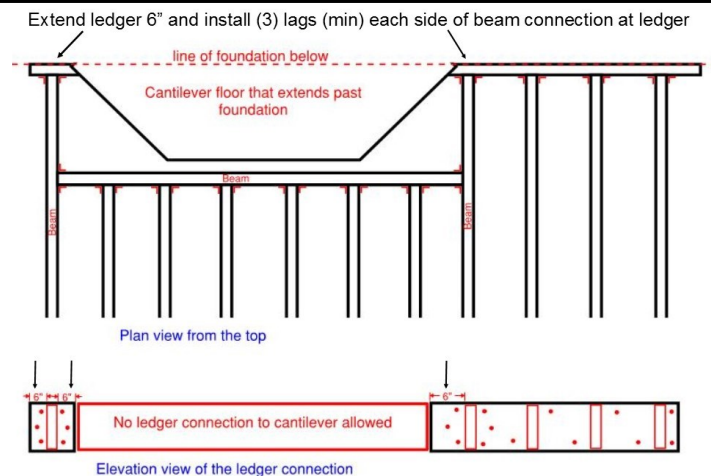
GUARD DETAILS



LEDGER DETAILS



FOOTING DETAILS (posts must be centered)



CANTILEVER DETAILS